

ICT123 – ICT129

Isolated Current Transformer



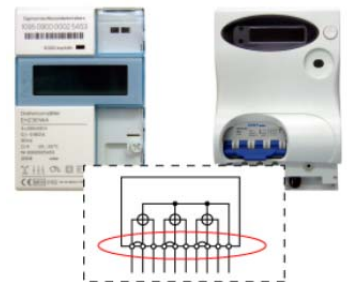
ICT123



ICT129

General

The amount of meters on the market with a current-voltage-link that cannot be opened is steadily growing. To test a meter, however, the current and voltage must be galvanically separated. This task is carried out by these ICT.

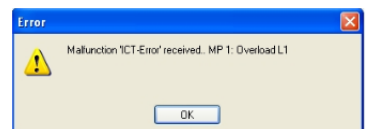


High Accuracy

Each ICT consists of three precision current transformers with combined electronic fault compensation. This fault compensation regulates the losses in the converter core near to zero. This allows the ICTs to achieve high degrees of accuracy over the entire current range.

Intelligent Fault Detection

The ICT has a phase oriented error indication. It detects faults and transmits this information together with the position number to the system bus. Fault messages are directly shown on the screen, using the WinSAM control software. In addition, the status LEDs on the front panel of an ICT indicate the phase in which a fault has occurred. Faults can only be shown on a screen when this has been integrated into a system.



Integrated or Stand-alone *

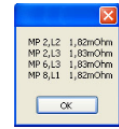
ICT123 allows you to choose both options: installation in a system or use as a stand-alone device. Thanks to its compact design, existing test systems can be easily upgraded and extended. When testing three-phase meters, one ICT is required per meter. It is also possible to test single-phase meters.



* only ICT123

Integrated Self-protection

If the ICT is located in an open current circuit, the integrated self-protection is activated at once and prevents damage at the device.



Burden measurement

Burden Measurement * (optional)

The ICT123 provides with WinSAM (beginning from version 5) error detection and indication within the meter contact in every phase. After the burden measurement has been performed a corresponding message appears.



Breaker-Test

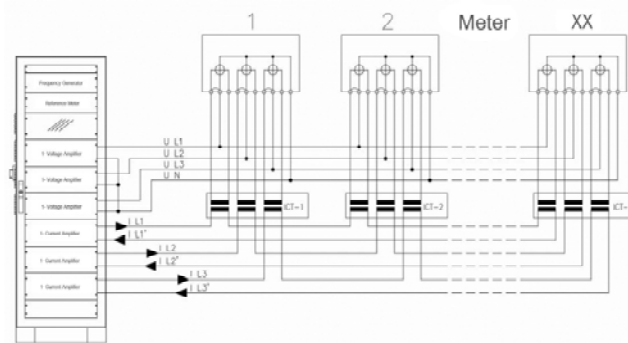
Breaker-Test * (optional)

Moreover via WinSAM5 a breaker test function for meters with remote switch-off is available. For testing the contact (open or closed) a minimum of current will be send through the meter.

* only ICT123

Use of ICTs in a multi-position system

Isolated Current Transformers (ICT)



Technical Data

	ICT123	ICT129
General		
Power supply	230 V-10 % +15 %, 47 ... 63 Hz	+ 15 VDC
Power consumption	max. 12 VA	-
Temperature range, operation	+5° ... + 40° C	-
Temperature range, storage	-15° ... + 65° C	-
Relative humidity (not condensing)	max. 95 %	-
Dimensions (DxWxH)	300 x 190 x 300 mm	252 x 214 x 247 mm
Weight	~ 16 kg	~ 15 kg
Safety		
Declaration of conformity	CE conform	CE conform
Protection class according to DIN EN 61140	I	-
Isolated Current Transformer		
Nominal current	100 A	100 A
Maximum current	120 A	120 A
Current prim.	2 mA ... 120 A	10 mA .. 120 A
Current sec.	2 mA ... 120 A	10 mA .. 120 A
Ratio	1:1	1:1
Ratio error 4)	< 0.01 % @ 1 A ... 120 A < 0.03 % @ 150 mA ... < 1 A < 0.10 % @ 20 mA ... < 150 mA < 0.15 % @ 10 mA ... < 20 mA < 0.5 % @ 2 mA ... < 10mA	< 0.01 % @ 1 A ... 120 A < 0.03 % @ 150 mA ... < 1 A < 0.10 % @ 20 mA ... < 150 mA < 0.15 % @ 10 mA ... < 20 mA -
Phase displacement 4)	< 1 min @ 1 A ... 120 A < 3 min % @ 150 mA ... < 1 A < 10 min @ 20 mA ... < 150 mA < 20 min @ 10 mA ... < 20 mA < 40 min @ 2 mA ... < 10 mA	< 1 min @ 1 A ... 120 A < 3 min % @ 150 mA ... < 1 A < 10 min @ 20 mA ... < 150 mA < 20 min @ 10 mA ... < 20 mA -
Max. rated burden	600 mV / Isec @ 5 A ... 120 A 120 mΩ @ < 5 A	600 mV / Isec @ 5 A ... 120 A 120 mΩ @ < 5 A
Max. length of meter cable	650 mm @ ≥ 35 mm ²	650 mm @ ≥ 35 mm ²
Fundamental frequency	45 ... 65 Hz	45 ... 65 Hz

4: without secondary voltage
Subjects to alteration.

27.03.2017